

Ozen
Refrigerated
Air Drying
Systems

Ozen
Desiccant
Air Drying
Systems

Ozen Air Filtration
Water Separation
and Service
Elements

ODR, OCD, ELM Series AIR TREATMENT EQUIPMENT

THE DETAILS THAT DELIVER THE RIGHT RESULTS...

EXPERIENCE

Ozen Kompresor, with its industry experience of half-a-century and its large portfolio of compressed air products, provides, reliable, efficient and smart solutions.

TRUST

Ozen's dedication to customer satisfaction has helped the company to build lasting relationships of trust and loyalty with its customers.

DURABLE & EFFICIENT

All of the compressed air equipment in Ozen's portfolio have proven their durability under the toughest conditions. They provide high-quality, high-efficiency air.

QUALITY

Manufacturing consistently high-quality products is one of Ozen's fundamental tenets. To that end, Ozen continuously enhances its quality policies.



ozen®

KOMPRESÖR

TECHNOLOGY

Ozen Kompresor is innovative. It always uses up-to-date technologies in compliance with world-standards.

R & D

With its creative team and modern infrastructure, Ozen is capable of developing its own technology through collaborations with several universities.

STRONG SERVICE NETWORK


Ozen Kompresor believes in maintainability. Its customers can enjoy uninterrupted manufacturing thanks to its accessible, fast and reliable service network.

COMPETITIVE

Ozen Kompresor acts in favor of its customers. Providing them with leverage is one of Ozen's strong suits.

RESPECT FOR THE ENVIRONMENT

Striving for a sustainable future, Ozen Kompresor selects for environmentally friendly practices and takes all necessary precautions while structuring its work processes.



Ozen Refrigerated
Air Drying Systems

ODR and ODRE Series Refrigerated Air Dryers



ODR ve ODRE Series

Supply of clean and dry air is essential for all companies that require air for their production. In order not to compromise the quality of the end product and to protect the equipment from corrosion, the air that comes out of the compressors must be filtered to clean it from all kinds of dirt and humidity.

Ozen refrigerated air dryers ensure the quality and continuity of your production by eliminating the particles and humidity from your compressed air system.

Ozen only uses environmentally friendly R134a gas in its dryers. Thanks to the thermodynamic properties of R134a, which is ideal for both low and high heat applications, it is possible to operate at lower pressures than other dryers. Since it is designed to accommodate extreme tropical climates, the dryer provides high performance at ambient temperatures of up to 60°C. With the Digi-Pro control unit, it is easy to monitor the actual dew-point and determine the dryer's periodical service and maintenance needs.

The strategic positioning of the electrical panel makes it easily accessible without having to open the product covers.



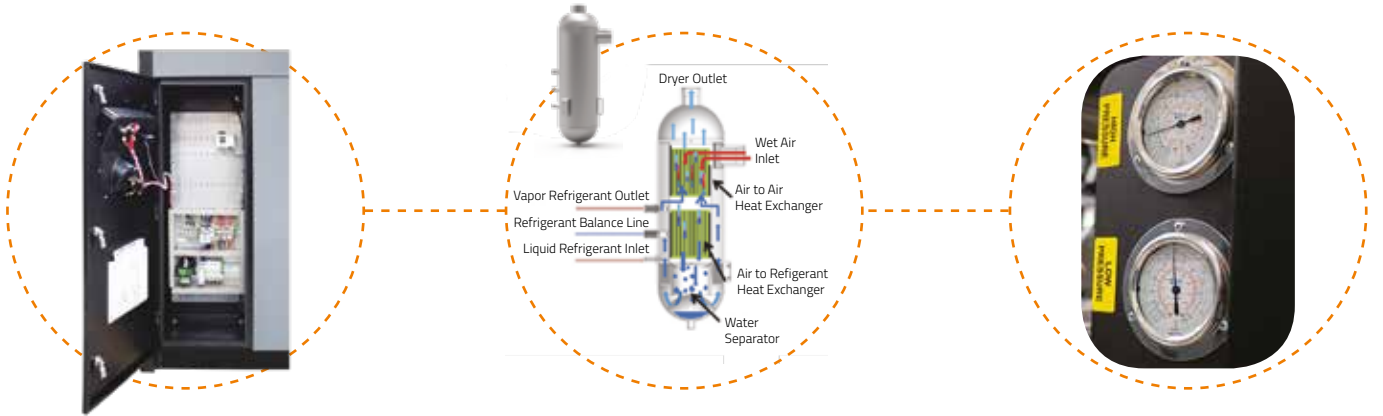
Compact Design

- The aluminum plate heat exchanger, which is standard, generates minimum pressure drop, maximum heat transmission, and high-performance water separation.
- Compact design provides ease of installation and small space compatibility.
- Absorption and purge pressure gauges are connected to the cooling cycle.
- Electrical and mechanical panels are separated.
- Easy access to the electrical panel of the product.



ODR and ODRE Series Refrigerated Air Dryers

ODR ve ODRE Series

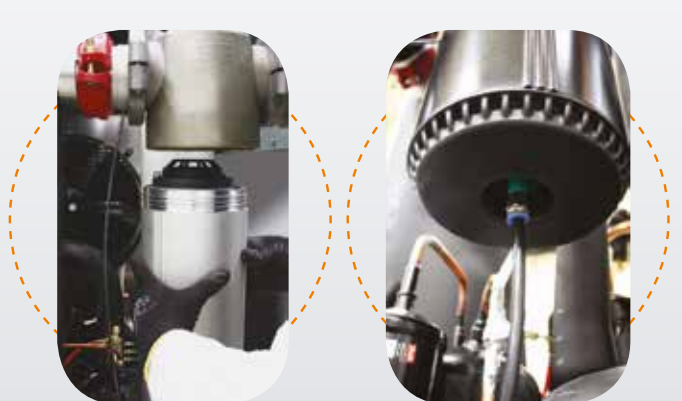


Integrated Filters

- Standard filters located inside the dryer eliminate the need to install separate filters and external piping at the inlet and outlet points of the dryer. (up to ODR 2220)
- Oversized (above capacity) filters are chosen to extend lifetime.

Ease of Service

- Easy service and maintenance, thanks to the screwless panels with plastic handles.
- Filter components that can be easily replaced in small areas.
- Ease of assembly and disassembly with grooved couplings and pipe.
- Standard spare manual discharge connections.
- Service, maintenance and operating hour counter notification signals.
- Manual discharge valves on the filters make it possible to instantly lower the pressure during service.



ODR Series Refrigerated Air Dryers



ODR Series

ODR Series Features

- 3°C Pressure Dew Point
- Very Low Pressure Drop
- Designed for extreme tropical conditions
- Dryer easily run with rated flow at 60°C max. inlet temperature and 55°C ambient temperature due to R134a refrigerant (all through the range) and oversized condenser

Digi-Pro Digital Control Unit

- Energy saving mode
- Digital dew-point gauge
- Temperature unit selection (Celsius/Fahrenheit)
- Ability to get status reports
- Periodical maintenance indicator
- Time counter



ESD Digital Control Unit

- Saves energy
- Automatic shutdown/economy mode when the air does not receive any air.
- Multi-parameter gauges
- Alarm signals



Technical Specifications

MODEL	Capacity 7 Bar, Max. 35 °C Inlet, 25 °C Ambient Temperature		Connection Size	Voltage V / - / Hz	Pressure Drop (mbar)	Max. Working Pressure (Bar)	Max. Ambient Temperature (°C)	Max. Inlet Temperature (°C)	Filter Model to be placed in the Dryer m3/h
	m³/min	cfm							
ODR 18	0.30	10.59	1/2"	230/1/50	100	16	50	60	GK045 MX+MY
ODR 30	0.50	17.66	1/2"	230/1/50	140	16	50	60	GK045 MX+MY
ODR 42	0.70	24.72	1/2"	230/1/50	220	16	50	60	GK045 MX+MY
ODR 55	0.92	32.49	1/2"	230/1/50	50	16	50	60	GK070 MX+MY
ODR 66	1.10	38.85	3/4"	230/1/50	100	16	50	60	GK0150 MX+MY
ODR 96	1.60	56.50	3/4"	230/1/50	150	16	50	60	GK0150 MX+MY
ODR 130	2.16	76.49	3/4"	230/1/50	100	16	50	60	GK0150 MX+MY
ODR 168	2.80	98.88	1 1/2"	230/1/50	150	16	50	60	GK0500 MX+MY
ODR 240	4.00	141.26	1 1/2"	230/1/50	80	16	50	60	GK0500 MX+MY
ODR 300	5.00	176.57	1 1/2"	230/1/50	120	16	50	60	GK0500 MX+MY
ODR 396	6.60	233.08	2"	230/1/50	100	16	50	60	GK0851 MX+MY
ODR 498	8.30	293.11	2"	230/1/50	100	16	50	60	GK01210 MX+MY
ODR 660	11.00	388.46	2"	230/1/50	120	16	50	60	GK01210 MX+MY
ODR 870	14.50	512.06	2"	230/1/50	220	16	50	60	GK01210 MX+MY
ODR 1110	18.50	653.32	3"	400/3/50	180	16	50	60	GK01820 MX+MY
ODR 1380	23.00	812.24	3"	400/3/50	120	16	50	60	GK01820 MX+MY
ODR 1710	28.50	1006.47	3"	400/3/50	220	16	50	60	GK02700 MX+MY
ODR 2220	37.00	1306.64	3"	400/3/50	170	16	50	60	GK02700 MX+MY
ODR 2664	44.40	1567.97	DIN 100	400/3/50	250	16	50	60	-
ODR 3132	52.20	1843.43	DIN 100	400/3/50	200	16	50	60	-
ODR 4068	67.80	2394.33	DIN 100	400/3/50	220	16	50	60	-
ODR 4680	78.00	2754.54	DIN 100	400/3/50	200	16	50	60	-
ODR 5580	93.00	3284.26	DIN 150	400/3/50	230	16	50	60	-
ODR 6300	105.00	3708.04	DIN 150	400/3/50	220	16	50	60	-
ODR 7200	120.00	4237.76	DIN 150	400/3/50	220	16	50	60	-
ODR 8400	140.00	4944.05	DIN 200	400/3/50	220	16	50	60	-
ODR 10000	166.67	5885.90	DIN 200	400/3/50	220	16	50	60	-

- Capacities are specified according to ISO 1217: 2009 Annex C with reference to 1 bar inlet pressure and 20 °C ambient temperature. Dew point is +3 °C.

Correction Factors for ODR Series Dryers								
Air Inlet Temperature °C	30	35	40	45	50	60	-	-
F1	1.29	1	0.92	0.78	0.65	0.45	-	-
Ambient Temperature °C	20	25	30	35	40	50	-	-
F2	1.05	1	0.98	0.93	0.84	0.7	-	-
Pressure Bar	4	6	7	8	10	12	14	16
F3	0.8	0.94	1	1.04	1.11	1.16	1.22	1.25

Correction Formula: Air Capacity of Compressor/F1/F2/F3= Dryer Capacity

ODRE Series Refrigerated Air Dryers

ODRE Series

ODRE series refrigerated air dryers offer economical and desired quality solutions for many industries that require dry air. It is designed to consume minimum energy with the right components.

High energy saving R134a gas is standard in all dryer models. Thanks to the thermodynamic properties of R134a, which is ideal for both low and high heat applications, it is possible to operate at lower pressures than other dryers.

Thanks to its design, it provides superior performance even at a maximum inlet temperature of 60 °C. With the control unit located on the dryer, it is easy to monitor the actual dew point and to determine the dryer's periodical service and maintenance needs.



Technical Specifications

MODEL	Capacity 7 Bar, Max. 35 °C Inlet, 25 °C Ambient Temperature		Connection Size	Voltage V / ~ / Hz	Pressure Drop (mbar)	Max. Working Pressure (Bar)	Max. Ambient Temperature (°C)	Max. Inlet Temperature (°C)	Filter Model to be placed in the Dryer m3/h
	m³/min	cfm							
ODRE 23	0.38	23	1/2"	230/1/50	100	16	45	50	GK045 MX+MY
ODRE 38	0.63	38	1/2"	230/1/50	140	16	45	50	GK045 MX+MY
ODRE 53	0.88	53	1/2"	230/1/50	220	16	45	50	GK045 MX+MY
ODRE 70	1.17	70	1/2"	230/1/50	50	16	45	50	GK070 MX+MY
ODRE 100	1.66	100	3/4"	230/1/50	100	16	45	50	GK0150 MX+MY
ODRE 155	2.58	155	3/4"	230/1/50	150	16	45	50	GK0150 MX+MY
ODRE 190	3.16	190	3/4"	230/1/50	100	16	45	50	GK0150 MX+MY
ODRE 210	3.5	210	1 1/2"	230/1/50	150	16	45	50	GK0500 MX+MY
ODRE 305	5.08	305	1 1/2"	230/1/50	80	16	45	50	GK0500 MX+MY
ODRE 375	6.25	375	1 1/2"	230/1/50	120	16	45	50	GK0500 MX+MY
ODRE 495	8.25	495	2"	230/1/50	100	16	45	50	GK0851 MX+MY
ODRE 623	10.38	623	2"	230/1/50	100	16	45	50	GK01210 MX+MY
ODRE 930	15.5	930	2"	230/1/50	120	16	45	50	GK01210 MX+MY
ODRE 1200	20	1200	2"	230/1/50	220	16	45	50	GK01210 MX+MY
ODRE 1388	23.13	1388	3"	400/3/50	180	16	45	50	GK01820 MX+MY
ODRE 1800	30	1800	3"	400/3/50	120	16	45	50	GK01820 MX+MY
ODRE 2500	41.66	2500	3"	400/3/50	220	16	45	50	GK02700 MX+MY
ODRE 2775	46.25	2775	3"	400/3/50	170	16	45	50	GK02700 MX+MY
ODRE 3330	55.5	3330	DIN 100	400/3/50	250	16	45	50	-
ODRE 3915	65.25	3915	DIN 100	400/3/50	200	16	45	50	-
ODRE 5085	84.75	5085	DIN 100	400/3/50	220	16	45	50	-
ODRE 5850	97.5	5850	DIN 100	400/3/50	200	16	45	50	-
ODRE 6975	116.25	6975	DIN 150	400/3/50	230	16	45	50	-
ODRE 7875	131.25	7875	DIN 150	400/3/50	220	16	45	50	-
ODRE 9000	150	9000	DIN 150	400/3/50	220	16	45	50	-
ODRE 10500	175	10500	DIN 200	400/3/50	220	16	45	50	-
ODRE 12500	200	12500	DIN 200	400/3/50	220	16	45	50	-

Correction Factors for ODRE Series Dryers									
Air Inlet Temperature °C	30	35	40	45	50	60	-	-	-
F1	1.29	1	0.92	0.7	0.65	0.45	-	-	-
Ambient Temperature °C	20	25	30	35	40	50	-	-	-
F2	1.05	1	0.98	0.93	0.84	0.7	-	-	-
Pressure Bar	4	6	7	8	10	12	14	16	-
F3	0.8	0.94	1	1.04	1.11	1.16	1.22	1.25	-
Correction Formula: Air Capacity of Compressor/F1/F2/F3= Dryer Capacity									

- Capacities are specified according to ISO 1217: 2009 Annex C with reference to 1 bar inlet pressure and 20 °C ambient temperature. Dew point is +10 °C.

ODR HP Series High Pressure Air Dryers

ODR HP Series



Ozen Kompresor dryers, which stand out with their efficiency and durability, have set a standard with their performance. Patented and uniquely designed heat exchangers are produced from corrosion resistant and high strength thick stainless tubes.

- Long-lasting heat exchangers with quality materials and robust design.
- Air perforated copper plates welded to steel tubes with the latest technology
- Low pressure drop provides energy savings and reduces operating costs.
- Responds to all capacity and power needs
- The footprint is small with its small and compact design.



Technical Specifications

MODEL	Flow (m3/min)	Flow (m3/h)	Voltage V / ~ / Hz	Inlet - Outlet Connection Size	Recommended Filters	Max. Working Pressure (Bar)	Max. Ambient Temperature °C	Max. Inlet Temperature °C
ODR 50 HP	0,83	50	230V / 1 / 50 Hz	3/4"	OFL 100 HG-MX-MY-MA	50	55	60
ODR 90 HP	1,50	90	230V / 1 / 50 Hz	3/4"	OFL 100 HG-MX-MY-MA	50	55	60
ODR 150 HP	2,50	150	230V / 1 / 50 Hz	3/4"	OFL 300 HG-MX-MY-MA	50	55	60
ODR 220 HP	3,67	220	230V / 1 / 50 Hz	3/4"	OFL 300 HG-MX-MY-MA	50	55	60
ODR 300 HP	5,00	300	230V / 1 / 50 Hz	1 1/4"	OFL 300 HG-MX-MY-MA	50	55	60
ODR 400 HP	6,67	400	230V / 1 / 50 Hz	1 1/4"	OFL 600 HG-MX-MY-MA	50	55	60
ODR 500 HP	8,33	500	230V / 1 / 50 Hz	1 1/4"	OFL 600 HG-MX-MY-MA	50	55	60
ODR 575 HP	9,58	575	230V / 1 / 50 Hz	1 1/4"	OFL 600 HG-MX-MY-MA	50	55	60
ODR 775 HP	12,92	775	230V / 1 / 50 Hz	1 1/4"	OFL 850 HG-MX-MY-MA	50	55	60
ODR 910 HP	15,17	910	230V / 1 / 50 Hz	1 1/4"	OFL 1200 HG-MX-MY-MA	50	55	60
ODR 1000 HP	16,67	1000	230V / 1 / 50 Hz	2"	OFL 1200 HG-MX-MY-MA	50	55	60
ODR 1160 HP	19,33	1160	230V / 1 / 50 Hz	2"	OFL 1200 HG-MX-MY-MA	50	55	60
ODR 1500 HP	25,00	1500	230V / 1 / 50 Hz	2"	OFL 1600 HG-MX-MY-MA	50	55	60
ODR 1600 HP	26,67	1600	400V / 3 / 50 Hz	2"	OFL 1600 HG-MX-MY-MA	50	55	60
ODR 1800 HP	30,00	1800	400V / 3 / 50 Hz	2"	OFL 2500 HG-MX-MY-MA	50	55	60
ODR 2200 HP	36,67	2200	400V / 3 / 50 Hz	2 1/2"	OFL 2500 HG-MX-MY-MA	50	55	60
ODR 2500 HP	41,67	2500	400V / 3 / 50 Hz	2 1/2"	OFL 2500 HG-MX-MY-MA	50	55	60
ODR 2700 HP	45,00	2700	400V / 3 / 50 Hz	2 1/2"	OFL 3000 HG-MX-MY-MA	50	55	60
ODR 3000 HP	50,00	3000	400V / 3 / 50 Hz	2 1/2"	OFL 3000 HG-MX-MY-MA	50	55	60
ODR 3300 HP	55,00	3300	400V / 3 / 50 Hz	2 1/2"	OFL 3000 HG-MX-MY-MA	50	55	60
ODR 3600 HP	60,00	3600	400V / 3 / 50 Hz	2 1/2"	OFL 3000 HG-MX-MY-MA	50	55	60

- Capacities are specified according to ISO 1217: 2009 Annex C with reference to 1 bar inlet pressure and 20 °C ambient temperature. Dew point is +3 °C.

Pressure (Bar)	20	25	30	35	40	45	50	-	-	-	-
F1	1.19	1.1	1.07	1.04	1.02	1	0.98	-	-	-	-
Ambient Temperature °C	-	-	-	-	20	25	30	35	40	42	-
F2	-	-	-	-	0.93	1	1.07	1.15	1.22	1.27	-
Inlet Temperature °C	-	-	-	-	30	35	40	45	50	55	60
F3	-	-	-	-	0.83	1	1.18	1.38	1.59	1.83	2.04

- Max. Pressure 50 Barg - Nominal Working Pressure 40 Barg



Ozen Desiccant Air Drying Systems



OMD Series Modular Desiccant Air Dryers

ozen[®]
KOMPRESÖR

OMD (5-400 m³/h)

OMD series desiccant dryers' light, modular design provides flexibility of installation. OMD series dryers can easily satisfy special needs and they make installation and assembly simple since they only weigh half of standard dryers with tanks. The series, with its plug-and play design, esthetic appearance and innovative build, is suitable for use wherever high quality compressed air is needed.

The series, with a portfolio of products ranging from 0.08 m³/min to 6.66 m³/min, is an all-in-one package with a dew-point between -40 °C and -94 °C; all you need is air inlet and outlet connections. Its highly engineered inlet valve and outlet manifold design guarantee the lowest pressure drop in the industry.

- Quick installation and maintenance
- Esthetic appearance with compact, lightweight design
- Protection against corrosion by aluminum body
- Floor, wall or countertop installation options
- Reliable electronic control panel



OMD Series Modular Desiccant Air Dryers

OMD (5-400 m³/h)



PLC Monitor

- Instant work process monitoring with user friendly indicators
- Command by remote control
- Remote signal capability

Technical Specifications

MODEL	Capacity		Filter Set	Connection Size	Voltage V / Hz	Dew Point (°C)	Dimensions (mm)	Total Weight (kg)
	m ³ /min	m ³ /h						
OMD 3	0.08	5	GKO20 MX-MY-MP	1/2"	230V / 50-60 Hz	-40	320x310x560	15
OMD 5	0.16	10	GKO20 MX-MY-MP	1/2"	230V / 50-60 Hz	-40	320x310x640	17
OMD 10	0.33	20	GKO20 MX-MY-MP	1/2"	230V / 50-60 Hz	-40	320x310x910	23
OMD 15	0.41	25	GKO25 MX-MY-MP	1/2"	230V / 50-60 Hz	-40	320x370x800	25
OMD 20	0.58	35	GKO50 MX-MY-MP	1/2"	230V / 50-60 Hz	-40	320x370x1100	35
OMD 25	0.75	45	GKO50 MX-MY-MP	1/2"	230V / 50-60 Hz	-40	320x370x1250	41
OMD 30	0.83	50	GKO50 MX-MY-MP	1/2"	230V / 50-60 Hz	-40	320x370x1500	46
OMD 40	1.16	70	GKO100 MX-MY-MP	1 1/2"	230V / 50-60 Hz	-40	430x430x1250	71
OMD 50	1.41	85	GKO100 MX-MY-MP	1 1/2"	230V / 50-60 Hz	-40	430x430x1400	78
OMD 60	1.66	100	GKO100 MX-MY-MP	1 1/2"	230V / 50-60 Hz	-40	430x430x1750	92
OMD 75	2.16	130	GKO150 MX-MY-MP	1 1/2"	230V / 50-60 Hz	-40	570x430x1300	117
OMD 100	2.83	170	GKO150 MX-MY-MP	1 1/2"	230V / 50-60 Hz	-40	570x430x1450	130
OMD 120	3.33	200	GKO150 MX-MY-MP	1 1/2"	230V / 50-60 Hz	-40	570x430x1750	152
OMD 180	5.00	300	GKO200 MX-MY-MP	1 1/2"	230V / 50-60 Hz	-40	710x430x1500	185
OMD 240	6.66	400	GKO250 MX-MY-MP	1 1/2"	230V / 50-60 Hz	-40	850x430x1500	236

Correction Factors													
(Bar g)	4,5	5	6	7	8	9	10	11	12	13	14	15	16
Factor (F1)	0,69	0,75	0,88	1	1,12	1,25	1,37	1,5	1,62	1,74	1,87	1,99	2,11
Inlet Temperature (°C)	20	25	30	35	40	45	50	-	-	-	-	-	-
Factor F2	1	1	1	1	0,8	0,73	0,59	-	-	-	-	-	-

- To find the most suitable model with high efficiency, multiply the flow rate in the table above by the correction factor corresponding to the working pressure.

- Dew Point: -40 °C
- Normal Inlet Temperature: 35 °C
- Normal Working Pressure: 7 bar
- Max. Inlet Temperature: 50 °C
- Max. Working Pressure: 16 bar
- Max. Ambient Temperature: 50 °C

OCD Series Heatless Desiccant Air Dryers

OCD Series



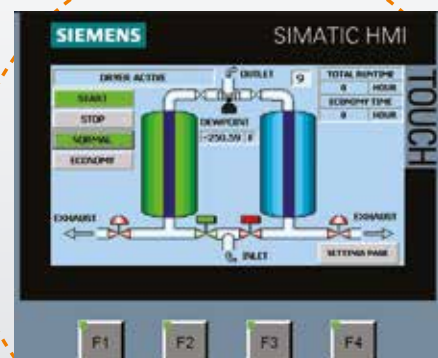
- This is a double-tank system.
- The first tank, which has high hygroscopic impact resistance and a large surface area, separates the moisture from the compressed air.
- The second tank simultaneously performs the drying process with regeneration. The tank with the saturated desiccant is dried with the help of super dry air at atmospheric pressure.
- The rate at which mufflers expel air can be adjusted according to the desired dew-point.
- No heater is used during this process. The pressure between the tanks is equalized to prevent desiccant wear.
- The air movements in the tanks are in reverse directions.

OCD series heatless desiccant dryers are designed to provide high-quality, dry, compressed air for critical applications such as the oil-gas, food-beverage and pharmaceutical industries.

Heatless desiccant dryers that provide a constant dew point of $-40\text{ }^{\circ}\text{C}$ ($-70\text{ }^{\circ}\text{C}$ optional) ensure flawless operation thanks to the reliable electronic controller on board. Equipped with special valves and high quality desiccant, this series boasts the lowest pressure drop in the industry.

PLC Control Unit

- Dew point indicator
- User-friendly touch screen
- Real time monitoring of both the cycle and the valves
- 10 language options



OCD Series Heatless Desiccant Air Dryers

OCD Series



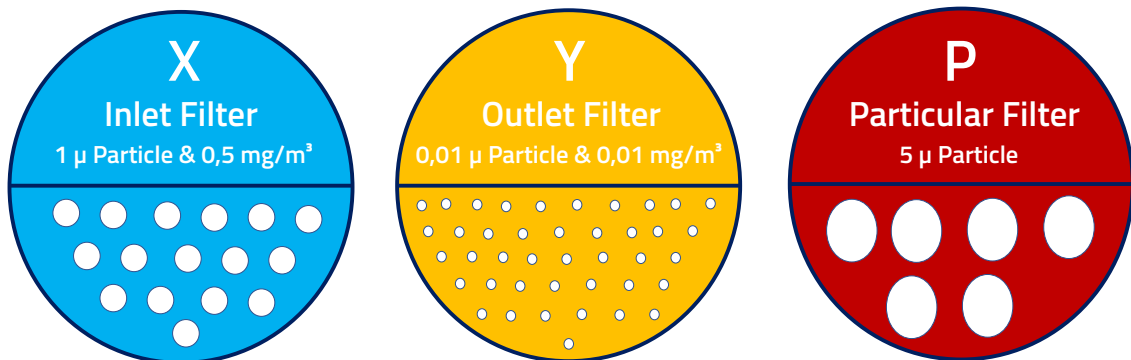
Active Alumina

- Fixed dew point with a special mix of desiccants.
- Active alumina or molecular sieve and silica gel, as chosen according to the application.

Technical Specifications

MODEL	Capacity		Filter Set	Connection Size	Pressure Drop (mbar)	Dew Point °C	Max. Inlet Temperature °C	Dimensions (mm)	Weight (kg)
	m ³ /min	m ³ /h							
OCD 130	2,17	130	GK0150 MX-MY-MP	1"	130	-40	45	757x450x1315	110
OCD 185	3,09	185	GK0200 MX-MY-MP	1"	130	-40	45	760x450x1567	130
OCD 250	4,17	250	GK0250 MX-MY-MP	1"	130	-40	45	650x760x1589	160
OCD 300	5,00	300	GK0300 MX-MY-MP	1 1/2"	130	-40	45	742x900x1615	215
OCD 360	6,00	360	GK0500 MX-MY-MP	1 1/2"	130	-40	45	742x900x1615	215
OCD 440	7,34	440	GK0500 MX-MY-MP	1 1/2"	130	-40	45	650x900x1792	340
OCD 575	9,60	575	GK0600 MX-MY-MP	1 1/2"	130	-40	45	650x900x1990	450
OCD 680	11,34	680	GK0851 MX-MY-MP	2"	130	-40	45	750x1000x2164	535
OCD 850	14,17	850	GK0851 MX-MY-MP	2"	130	-40	45	800x1050x2303	700
OCD 1000	16,67	1000	GK01210 MX-MY-MP	2"	130	-40	45	860x1120x2397	785
OCD 1250	20,84	1250	GK01820 MX-MY-MP	DN80	130	-40	45	1010x1300x2310	980
OCD 1500	25,00	1500	GK01820 MX-MY-MP	DN80	130	-40	45	1010x1300x2547	1210
OCD 1800	30,00	1800	GK01820 MX-MY-MP	DN80	130	-40	45	1010x1392x2415	1250
OCD 2200	36,67	2200	GK02200 MX-MY-MP	DN80	130	-40	45	1110x1490x2482	1525
OCD 2700	45,00	2700	GK02700 MX-MY-MP	DN80	130	-40	45	1210x1949x2245	1870
OCD 3200	53,34	3200	F3600 MX-MY-MP	DN100	130	-40	45	1210x1920x2460	2215
OCD 3600	60,00	3600	F4800 MX-MY-MP	DN100	130	-40	45	1210x1830x2596	2300
OCD 4400	73,34	4400	F4800 MX-MY-MP	DN100	130	-40	45	1210x1920x2486	2800
OCD 5000	83,34	5000	F7200 MX-MY-MP	DN125	130	-40	45	1350x1920x2960	3180
OCD 6300	105,00	6300	F7200 MX-MY-MP	DN150	130	-40	45	1650x2500x2760	4000
OCD 7200	120,00	7200	F9600 MX-MY-MP	DN150	130	-40	45	1650x2500x2924	4570
OCD 8800	146,67	8800	F9600 MX-MY-MP	DN150	130	-40	45	1650x2500x3200	5585
OCD 10800	180,00	10800	F12000 MX-MY-MP	DN200	130	-40	45	1720x2500x2720	6855

Filter Efficiency Rating



	X Inlet Filter	Y Outlet Filter	P Particular Filter
Efficiency Rating	1 micron particle removal and 0.5 mg/m ³ oil removal	0.01 micron particle removal and 0.1 mg/m ³ oil removal	5 micron particle removal (Removes desiccant particles after the dryer)

Correction Factors							
Pressure Factor F1	0.69	0.75	0.88	1	1.12	1.25	1.37
Air Inlet Temperature (°C)	20	25	30	35	40	45	50
Air Inlet Factor F2	1	1	1	1	0.8	0.75	0.59

All desiccant dryers are designed according to Pneurop conditions as per ISO7183.

OCD-H Series Heated Desiccant Air Dryers

OCD-H Series



In the OCD-H series heated desiccant dryers, the regeneration of the dehumidifier can be achieved without loss of compressed air by means of centrifugal blower motor and high efficiency heater. The completely automatic drying system uses blower to pull ambient air and pass it through the heater.

- This is a double-tank system.
- The first tank, which has high hygroscopic impact resistance and a large surface area, separates the moisture from the compressed air.
- The second tank simultaneously performs the drying process with regeneration. The tank with the saturated desiccant is dried with the help of super dry air at atmospheric pressure.
- The hot air stream flows opposite to drying flow direction.
- The advanced control system monitors the dew point and adjusts the heating/regeneration accordingly thereby providing valuable energy savings.

Features

- Dew point indicator
- Remote control
- Computer control
- Status display
- Alarm and pressure indicator
- Low pressure alarm
- Minimum pressure check valve
- High pressure switches and warning
- Heated and heatless option

MODEL	Capacity		Filter Set	Connection Size	Pressure Drop (mbar)	Dew Point (°C)	Max. Inlet Temperature (°C)	Power (kW)
	m ³ /min	m ³ /h						
OCD-H 850	14.2	850	GK0851 MX-MY-MP(H)	2"	-130	-70	50	6,5
OCD-H 1000	16.6	1.000	GK01210 MX-MY-MP(H)	2"	-130	-70	50	7,5
OCD-H 1250	20.8	1.250	GK01820 MX-MY-MP(H)	DN 80	-130	-70	50	8
OCD-H 1500	25	1.500	GK01820 MX-MY-MP(H)	DN 80	-130	-70	50	10
OCD-H 1800	30	1.800	GK01820 MX-MY-MP(H)	DN 80	-130	-70	50	12
OCD-H 2200	36.6	2.200	GK02200 MX-MY-MP(H)	DN 80	-130	-70	50	17
OCD-H 2700	45	2.700	GK02700 MX-MY-MP(H)	DN 80	-130	-70	50	19
OCD-H 3200	53.3	3.200	F3600 MX-MY-MP(H)	DN 100	-130	-70	50	20
OCD-H 3600	60	3.600	F4800 MX-MY-MP(H)	DN 100	-130	-70	50	26
OCD-H4400	73.3	4.400	F4800 MX-MY-MP(H)	DN 100	-130	-70	50	28
OCD-H 5000	83.3	5.000	F7200 MX-MY-MP(H)	DN 125	-130	-70	50	33
OCD-H 6300	105	6.300	F7200 MX-MY-MP(H)	DN 150	-130	-70	50	35
OCD-H 7200	120	7.200	F9600 MX-MY-MP(H)	DN 150	-130	-70	50	40
OCD-H 8800	146.6	8.800	F9600 MX-MY-MP(H)	DN 150	-130	-70	50	56
OCD-H 10800	180	10.800	F12000 MX-MY-MP(H)	DN 200	-130	-70	50	75

- Capacities are specified according to ISO 1217 Annex C with reference to 1 bar inlet pressure and 20 °C ambient temperature.

- Dew point: -40°C
- Normal inlet temperature: 35°C
- Normal working pressure: 7 bar

- Max. inlet temperature: 45°C
- Max. working pressure: 10 bar
- Max. ambient temperature: 40°C

Correction Factors							
(barg)	4.5	5	6	7	8	9	10
Pressure Factor F1	0.69	0.75	0.88	1	1.12	1.25	1.37
Air Inlet Temperature (°C)	20	25	30	35	40	45	50
Air Inlet Factor F2	1	1	1	1	0.8	0.73	0.59



Ozen Air Filtration /
Water Separation and
Service Elements

OFL Series Compressed Air Filters



OFL Series



Compressed air may be contaminated with oil, dust or water. If the air goes to the production line without being filtered, it can affect the quality of the final product and, hence, your reputation.

The OFL series of compressed air filters are designed to satisfy increased quality demands and to provide high-quality air. Zero-porosity aluminum, corrosion-resistant inner coating and durable powder paint offer long service life. All filters comply with PED and ISO 8573 standards.

- Superior protection from 5 microns to 0.01 micron.
- Easy element replacement thanks to snap on design.
- High efficiency and low pressure drop with deep pleats
- The interlocked helical metal drives the air vertically to increase performance, while making the product more crush-resistant.
- Standard automatic drain
- No more additional fixtures and piping thanks to joint clamps.
- Designed for easy assembly and replacement with zero clearance.
- With its anodic coating, it is resistant to corrosion and superior to competitors.



**TO REMOVE THE ELEMENT
TWIST CLOCKWISE**



OFL Series Compressed Air Filters

OFL Series



Technical Specifications

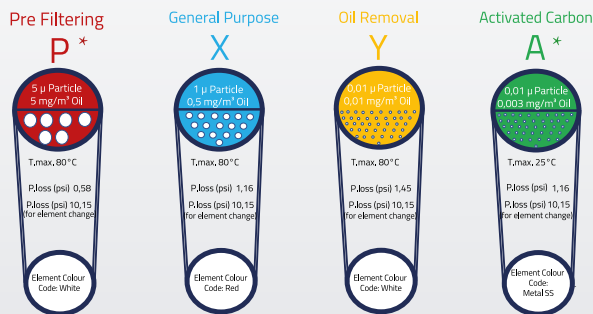
MODEL	Capacity		Connection Size	Element Type
	m ³ /min	m ³ /h		
OFL 24 M	0.41	25	¼"	M25
OFL 48 M	0.83	50	3/8"	M50
OFL 100 M	1.66	100	½"	M100
OFL 150 M	2.50	150	¾"	M150
OFL 200 M	3.33	200	¾"	M200
OFL 250M	4.16	250	1"	M250
OFL 300 M	5.00	300	1 ¼"	M300
OFL 500 M	8.33	500	1 ½"	M500
OFL 600 M	10.00	600	1 ½"	M600
OFL 851 M	14.16	850	2"	M851
OFL 1210 M	20.00	1200	2"	M1210
OFL 1510 M	25.00	1500	2 ½"	M1510
OFL 1810 M	30.00	1800	3"	M1810
OFL 2210 M	36.66	2200	3"	M2210
OFL 2620 M	36.66	2200	3"	M2620

Correction Factor for Line Filters									
Working Pressure (barg)	1	3	5	7	9	11	13	15	16
PSIG	15	44	73	100	131	160	189	218	247
Correction Factor	0,5	0,71	0,87	1	1,12	1,22	1,32	1,44	1,57

Correction Formula: Filter Capacity x Correction Factor Corresponding to Working Pressure

Technical Specifications	Pre Filter	General Purpose	Oil Removal	Activated Carbon
Grade	P	X	Y	A
Particle Removal (Micron)	5	1	0,01	0,01
Max. Oil Carryover at 21 °C (mg/m)	5	0,5	0,01	0,03
Max. Working Temperature (°C)	80	80	80	25
Max. Working Pressure	16	16	16	16
Initial Pressure Loss (mbar)	40	80	100	80
Pressure Loss for Element Change (mbar)	700	700	700	700

Filtering Specifications



Notes:

- Grade A must not operate in oil saturated conditions.
- Grade A elements should be replaced periodically to suit the applications but must be changed at least every six months.
- Grade A will not remove certain gases including carbon monoxide and carbon dioxide. Please refer to works if in doubt.
- Flow rates are based on a 7 bar operating pressure, for flows at other pressures use correction factor given above.
- All filters are suitable for use with mineral and synthetic oils.
- Gauge type pressure indicators are fitted to models OFL24M to OFL2620M as standard.
- All filters are in conformity with the Pressure Equipment Directive (97/23/EC)

Drain Type	Indicator Type
Electro-adjustable	Indicator with or without electrical contact
External Float Type	
Zero-loss Drain	
Manual	

Correction Factors for ODRD Dryers											
Pressure (psi)	15	44	73	100	131	160	189	218	232	261	290
X1	0,50	0,71	0,87	1,00	1,12	1,22	1,32	1,44	1,50	1,57	1,63

OFL Series Flanged Compressed Air Filters

OFL F Series (18-500 m³/min)



In OFL F series flanged air filters, elements are assembled with a tie rod system. The product, which uses tanks that comply with CE and ASME standards, allows the element replacement to be made easily through the top flange with its original design. There are 2 automatic float drains for perfect evacuation.

External Automatic Float Drain

- External drain is designed to remove liquid condensation from collection points
- Durable epoxy powder-coat finish and corrosion resistant internal anodised coating to protect against corrosion. covered with anode.

- 1) Grade A must not operate in oil saturated conditions.
- 2) Grade A elements should be replaced periodically to suit the applications but must be changed at least every six months.
- 3) Grade A will not remove certain gases including carbon monoxide and carbon dioxide. Please refer to works if in doubt.
- 4) Flow rates are based on a 7 bar operating pressure, for flows at other pressures use correction factor given above.
- 5) All filters are suitable for use with mineral and synthetic oils.
- 6) Other standards for flanged connections are available.
- 7) The air flow direction is from inside to outside for the X and Y filter elements, it is from outside to inside for the P and A elements.

FLANGED COMPRESSED AIR FILTERS (X-Y-P-A ELEMENTS)

MODEL	Capacity		Connection Size
	m ³ /min	m ³ /h	
OFL 1100 F	18.33	1100	DN50
OFL 1900 F	31.66	1900	DN50
OFL 2500 F	41.66	2500	DN80
OFL 3200 F	53.33	3200	DN100
OFL 4300 F	71.66	4300	DN100
OFL 6500 F	108.33	6500	DN150
OFL 8500 F	141.66	8500	DN150
OFL 11000 F	183.33	11000	DN200
OFL 14000 F	233.33	14000	DN200
OFL 17000 F	283.33	17000	DN250
OFL 21000 F	350.00	21000	DN250
OFL 25500 F	425.00	25500	DN300
OFL 30000 F	500.00	30000	DN300

OFL-HG Series High Pressure Compressed Air Filters

OFL-HG Series

OFL HG series high pressure compressed air filters provide high-quality air as required by high-pressure applications. The reinforced wall thickness used in the products ensures high pressure performance.



DRAIN TYPE

HG – Manual Brass Drain
HHG - Manual Brass Drain

NOTES:

- 1) Grade A must not operate in oil saturated conditions.
- 2) Grade A elements should be replaced periodically to suit the applications but must be changed at least every six months.

50 Bar Series

- It is made of aluminum.
- It is strong and durable with its weldless design.
- The inner and outer surfaces of the filters have anodic coating.



350 Bar Series

- It is made of carbon steel.
- It can be used safely in high pressure applications with its weldless design.
- The inner and outer surfaces of the filters are painted with epoxy electrostatic powder paint.



16-40 Bar			
MODEL	Capacity		Connection Size
	m ³ /min	m ³ /h	
OFL 100HG	1.66	100	1/4"
OFL 300HG	5.00	300	1/2"
OFL 600HG	10.00	600	3/4"
OFL 850HG	14.16	850	1"
OFL 1200HG	20.00	1200	1"
OFL 1600HG	26.66	1600	1 1/2"
OFL 2500HG	41.66	2500	2"
OFL 3000HG	50	3000	2 1/2"

40-350 Bar			
MODEL	Capacity (m ³ /min)	Capacity (m ³ /h)	Connection Size
OFL 100HHG	1.66	100	1/4"
OFL 300HHG	5.00	300	1/2"
OFL 600HHG	10.00	600	3/4"
OFL 850HHG	14.16	850	1"
OFL 1200HHG	20.00	1200	1"
OFL 1600HHG	26.66	1600	1 1/2"
OFL 2500HHG	41.66	2500	2"
OFL 3000HHG	50.00	3000	2 1/2"

Correction Factors for Line Filters									
Working Pressure (barg)	1	3	5	7	9	11	13	15	16
PSIG	15	44	73	100	131	160	189	218	247
Correction Factor	0.5	0.71	0.87	1	1.12	1.22	1.32	1.44	1.57

Correction Formula: Filter Capacity x Correction Factor Corresponding to Working Pressure

Technical Specifications	Pre Filter	General Purpose	Oil Removal	Activated Carbon
Grade	P	X	Y	A
Particle Removal (Micron)	5	1	0,01	0,01
Max. Oil Carryover at 21 °C (mg/m)	5	0,5	0,01	0,03
Max. Working Temperature (°C)	80	80	80	25
Max. Working Temperature	16	16	16	16
Initial Pressure Loss (mbar)	40	80	100	80
Pressure Loss for Element Change (mbar)	700	700	700	700

OFL-WS Series Water Separators

OFL-WS Series



OFL-WS series water separators, which are designed to eliminate the water droplets and particles found in compressed air and gases, have aluminum bodies. With their unique design, they generate a continuous centrifugal force and remove wastes with a very low pressure difference, providing maximum energy saving.

While highly effective, water separators cannot remove 100% of the oil in the air. The remaining oil, water and particles should be removed using an additional filter in the system.

- Aluminum body
- Wide range of products with joint flow diameters ranging from 1/4" to 3" and rates of up to 36,66 m³/minute
- Standard automatic discharge
- Internal and external surfaces painted with electrostatic powder paint

Technical Specifications

MODEL	m ³ /min	m ³ /h	Connection Size (inch)
OFL 25 WS	0,41	25	1/4"
OFL 100 WS	1.66	100	1/2"
OFL 200 WS	3.33	200	3/4"
OFL 300 WS	5.00	300	1 1/4"
OFL 600 WS	10.00	600	1 1/2"
OFL 1200 WS	20.00	1200	2"
OFL 2200 WS	36.66	2200	3"

- Max. Recommended Working Temperature: 80°C
- Min. Recommended Working Pressure: 1,5°C
- Pressure Drop Value: 50 mbar

Correction Factors									
Working Pressure (barg)	1	3	5	7	9	11	13	15	16
PSIG	15	44	73	100	131	160	189	218	247
X1	0,50	0,71	0,87	1,00	1,12	1,22	1,32	1,44	1,57



OFL-WS Series Flanged Water Separators

OFL-WS Flanged Series



Built to eliminate water droplets and particles from compressed air and gases, the OFL-WS series flanged water separators have a unique design that helps create a continuous centrifugal force and eliminate the wastes with a very low pressure difference. This will save you energy.

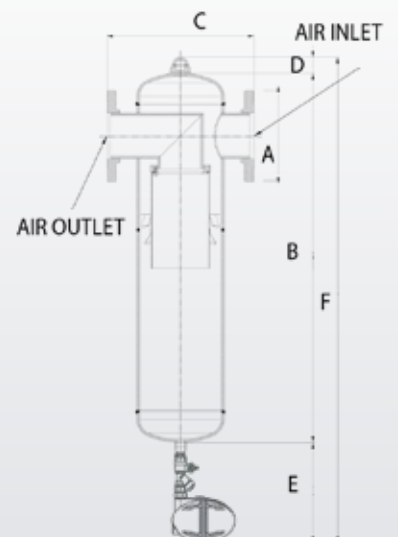
There is a wide selection of products with a flange connection diameter range of DN80- DN 500, and up to 500 m³/minute flow rates. While being highly effective, water separators cannot remove 100% of the oil in the air. The remaining oil, water and particles should be removed using an additional filter in the system.

Technical Specifications

MODEL	Capacity		Connection Size
	m ³ /min	m ³ /h	
F 2500WS	41.67	2500	DN80
F 3200WS	53.33	3200	DN100
F 4300WS	71.67	4300	DN100
F 6500WS	108.33	6500	DN150
F 8500WS	141.67	8500	DN150
F 11000WS	183.33	11000	DN200
F 14000WS	233.33	14000	DN200
F 17000WS	283.33	17000	DN250
F 21000WS	350.00	21000	DN250
F 25500WS	425.00	25500	DN300
F 30000WS	500.00	30000	DN300

- Max. Recommended Working Temperature: 80 °C
- Min. Recommended Working Pressure: 1,5 °C
- Pressure Drop Value: 50 mbar

Correction Factors								
Working Pressure (barg)	1	3	5	7	9	11	13	14
PSIG	15	44	73	100	130	160	189	200
X1	0,50	0,71	0,87	1,00	1,12	1,22	1,32	1,38



ELM Series Mist Eliminating Air (Mist Eliminator)



ELM Series



Designed to remove the oil particles and steam found in pressurized air, the ELM series oil mist eliminators are ideal for oil-injection compressors, vacuums and blowers. It is used in many applications such as vacuum freeze drying, vacuum degassing, food processing, nail punch guns, industrial vacuum processes, cement and paper processing.

Designed to effectively remove oil particles and steam from oil-injection compressors, the ELM series is characterized by long service life and durability under tough operating conditions.

Element

- Provides energy saving with very low pressure drop.
- High quality seals used for efficient filter operation
- Long service life
- Filter change is needed when pressure difference of 170 mbar.

- Superior oil catching efficiency
- Low pressure drop
- Easy area cleaning
- Positive leak-proof O-ring
- Continuous operation within the temperature range of minimum 4°C and maximum 80°C
- Standard automatic float discharge
- Multiple discharge options
- Removal of particles as small as 0.01 micron including coalesced liquid water and oil providing a maximum remaining oil aerosol content of 0.01 ppm
- Increased surface area in a given volume allows low velocity separation of ultra-fine oil mist



ELM Series Mist Eliminating Air (Mist Eliminator)

ELM Series

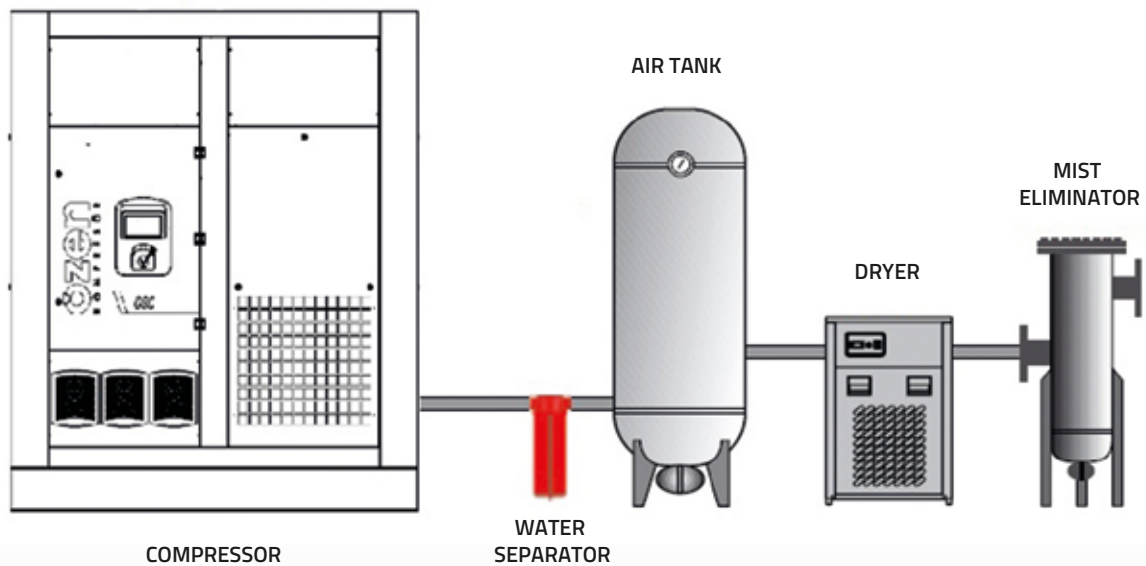
Mist Eliminating Unit (Mist Eliminator) 16 bar

MODEL	Capacity		Inlet/Outlet Port Size	Replacement Element Type
	m ³ /min	m ³ /h		
ELM-150	4,25	255	DN50	Elm 150 Element
ELM-300	8,50	510	DN50	Elm 300 Element
ELM-600	17,00	1.020	DN50	Elm 600 Element
ELM-800	22,67	1.360	DN80	Elm 800 Element
ELM-1200	34,00	2.040	DN80	Elm 1200 Element
ELM-1600	45,33	2.720	DN80	Elm 1600 Element
ELM-2100	59,50	3.570	DN100	Elm 2100 Element
ELM-2750	77,92	4.675	DN100	Elm 2750 Element
ELM-4200	119,00	7.140	DN150	Elm 4200 Element
ELM-6000	170,00	10.200	DN150	Elm 6000 Element
ELM-8000	226,67	13.600	DN200	Elm 8000 Element
ELM-10000	283,33	17.000	DN250	Elm 10000 Element
ELM-12000	340,00	20.400	DN300	Elm 12000 Element

Mist Eliminating Unit (Mist Eliminator) 40 bar

MODEL	Capacity		Inlet/Outlet Port Size	Replacement Element Type
	m ³ /min	m ³ /h		
ELM-150 HP	4,25	255	DN50	Elm 150-40 Element
ELM-300 HP	8,50	510	DN50	Elm 300-40 Element
ELM-600 HP	17,00	1.020	DN50	Elm 600-40 Element
ELM-800 HP	22,67	1.360	DN80	Elm 800-40 Element
ELM-1200 HP	34,00	2.040	DN80	Elm 1200-40 Element
ELM-1600 HP	45,33	2.720	DN80	Elm 1600-40 Element
ELM-2100 HP	59,50	3.570	DN100	Elm 2100-40 Element
ELM-2750 HP	77,92	4.675	DN100	Elm 2750-40 Element
ELM-4200 HP	119,00	7.140	DN150	Elm 4200-40 Element
ELM-6000 HP	170,00	10.200	DN150	Elm 6000-40 Element
ELM-8000 HP	226,67	13.600	DN200	Elm 8000-40 Element
ELM-10000 HP	283,33	17.000	DN250	Elm 10000-40 Element
ELM-12000 HP	340,00	20.400	DN300	Elm 12000-40 Element

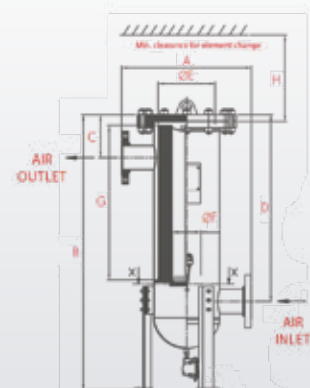
LAYOUT PLAN WITH MIST ELIMINATOR



Correction Factors								
Operating Pressure (barg)	1	3	5	7	9	11	13	14
PSIG	15	44	73	100	130	160	189	200
X1	0,50	0,71	0,87	1,00	1,12	1,22	1,32	1,38

For maximum flow rate, multiply model flow rate show in the above table by the correction factor corresponding to the working pressure.

Drain Type
Electro-adjustable
External float type
Zero-loss drain
Manual





24/7 SERVICE

Ozen is always at your side with after-sales services that improve your productivity and keep your compressed air system running. In order you to continue uninterrupted production in all the markets it serves, Ozen offers 24/7 service support.

Trained technicians of our authorized service providers perform your compressor's maintenance and upkeep to ensure your operations have a maximum cost savings. Our service network safeguards that you can access the parts and services you need quickly and efficiently.

Do not risk production stoppage due to air compressor failure. Minimize the risks by staying on top of planned maintenance and using only original parts. Entrust your air compressor to experts. Please contact with your local Ozen Distributor for service and maintenance.



Konya Organize Sanayi Bölgesi, Büyük Kayacık Mah.
20. Sk. No: 4, 42300 Konya / TURKEY

T: +90 332 345 42 45

F: +90 332 345 42 48

E: info@ozenkompresor.com.tr ▪ sales@ozenkompresor.com.tr

www.ozenkompresor.com.tr

ozen[®]
K O M P R E S Ö R